

P3010 AVM™2



- ▶ Patented multistage COAX® cartridge - MINI - with Pi, Si, Xi cartridge.
- ▶ AVM™2, Automatic Vacuum Management, unit with built-in control and monitoring functions.
- ▶ Valves for vacuum on/off and blow-off.
- ▶ Special safety feature for the version with normally closed on/off valve. (E-stop).
- ▶ Analogue vacuum sensor with two digital outputs.
- ▶ Digital display with “-kPa” or “-inHg” as unit options.
- ▶ Integrated energy saving function (ES) that minimizes the air consumption in sealed systems. The ES function can be activated manually or via a signal (signal override).
- ▶ Three-colour LED status indicators for valves, signal outputs and ES.

Technical data

Description	Unit	Value
Feed pressure, max.	MPa	0.7
Noise level	dBA	66-68
Material		PA, NBR, AI, SS, PMMA
Temperature range	°C	0-50
Weight	g	250-330
Signal range, adjustable	-kPa	20-80
Hysteresis	kPa	7±1
Voltage	VDC	24 (22-28)
Ripple, max.	V _p	1V _{rms}
Current consumption, nominal	mA	110
Safety classification		IP65 [NEMA 4]
Current, max. output load		100
Display		LED indicators, numeric
Flow, blow-off	NI/s	0-7.5

Performance tables

Depending upon choice of COAX® cartridge, performance data of the P3010 can be found in the tables for vacuum flow, evacuation time and blow flow on the P3010 or Vacuum cartridges/integration datasheets.

Ordering information

1. Select housing	P3010 Code
Housing, connection Ø=6 mm	00
Housing, connection 1/8" NPSF	01

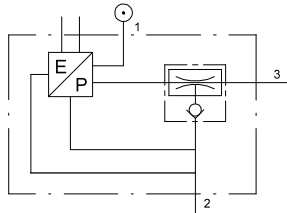
2. COAX® cartridge modules	P3010 Code
COAX® cartridge module Pi12-3FSx1, non-return valve	AF
COAX® cartridge module Pi12-3FSx2, non-return valve	AH
COAX® cartridge module Si08-3FSx1, non-return valve	AB
COAX® cartridge module Si08-3FSx2, non-return valve	AD
COAX® cartridge module Xi10-3FSx1, non-return valve	AJ
COAX® cartridge module Xi10-3FSx2, non-return valve	AL

3. Select connection and function module	P3010 Code
Function AVM™2 NO G connection	27
Function AVM™2 NC G connection	28

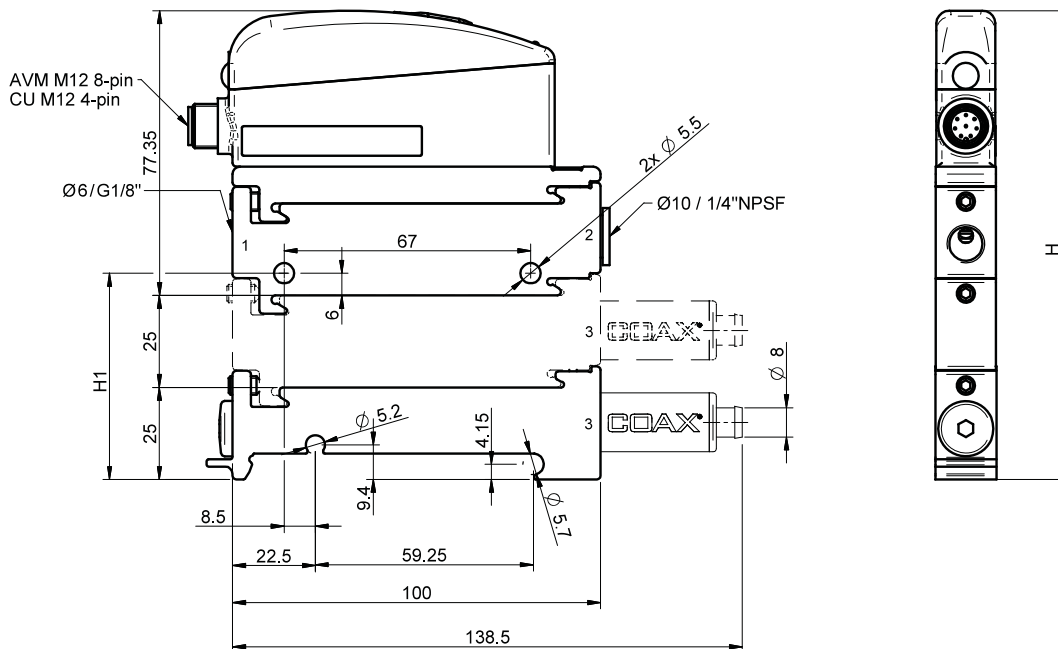
4. Select ES	P3010 Code
No energy saving	AA

5. Select vacuum sensing	P3010 Code
No vacuum sensing	00

Example	Ordering number
Housing, connection 1/8" NPSF Pi12-3FSx1, non-return valve, Function AVM2 NO, no energy saving function, no vacuum sensing	P3010.01.AF.27.AA.00



COAX® Cartridge	H	H1
1	102,4	31
2	127,4	56



Ordering information, accessories

Description	Art. No.
Cable M12 8-pin female, PUR, L=2m	0110238
Cable M12 8-pin female, PUR, L=5m	0117746
Y-cable M12 8-pin female, 2xM12 4-pin male, PNP, PUR, L=2m	0118407
Y-cable M12 8-pin female, 2xM12 5-pin male, NPN, PUR, L=2m	0120229
Y-cable MIL 18-pin male, 2xM12 8-pin female, PNP, L=0.3m	0113248
Sealing kit P3010, NBR	0104201

The sealing kit includes flap valves, compressed air filter and vacuum filter.