

## P3010 CU



- ▶ Patented multistage COAX® cartridge - MINI - with Pi, Si, Xi cartridge.
- ▶ Integrated Control Unit (CU) with electric valves for vacuum on-off and blow-off control.
- ▶ Mechanical valve for blow-off flow adjustment.
- ▶ Special M12 4-pin cable assembly with LED for status of valve signals.
- ▶ Slim, compact, configurable and modular design.

### Technical data

Description	Unit	Value
Feed pressure, max.	MPa	0.7
Noise level	dBA	66-68
Material		PA, NBR, AI, SS, PMMA
Temperature range	°C	0-50
Weight	g	236-316
Voltage	VDC	24 (22-28)
Safety classification		IP65 [NEMA 4]
Humidity	%RH	90
Current consumption, nominal	mA	60
Ripple, max.	V <sub>p</sub>	1 V <sub>rms</sub>
Flow, blow-off	NI/s	0-7.5
Function, on/off		NC

### Performance tables

Depending upon choice of COAX® cartridge, performance data of the P3010 can be found in the tables for vacuum flow, evacuation time and blow flow on the P3010 or Vacuum cartridges/integration datasheets.

### Ordering information

1. Select housing	P3010 Code
Housing, connection Ø=6 mm	00
Housing, connection 1/8" NPSF	01

2. COAX® cartridge modules	P3010 Code
COAX® cartridge module Pi12-3FSx1	AE
COAX® cartridge module Pi12-3FSx1, non-return valve	AF
COAX® cartridge module Pi12-3FSx2	AG
COAX® cartridge module Pi12-3FSx2, non-return valve	AH
COAX® cartridge module Si08-3FSx1	AA
COAX® cartridge module Si08-3FSx1, non-return valve	AB
COAX® cartridge module Si08-3FSx2	AC
COAX® cartridge module Si08-3FSx2, non-return valve	AD
COAX® cartridge module Xi10-3FSx1	AI
COAX® cartridge module Xi10-3FSx1, non-return valve	AJ
COAX® cartridge module Xi10-3FSx2	AK
COAX® cartridge module Xi10-3FSx2, non-return valve	AL

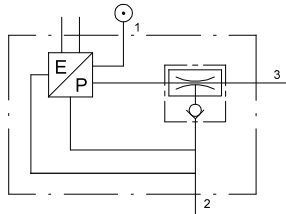
3. Select connection and function module	P3010 Code
Function CU NC G connection	29

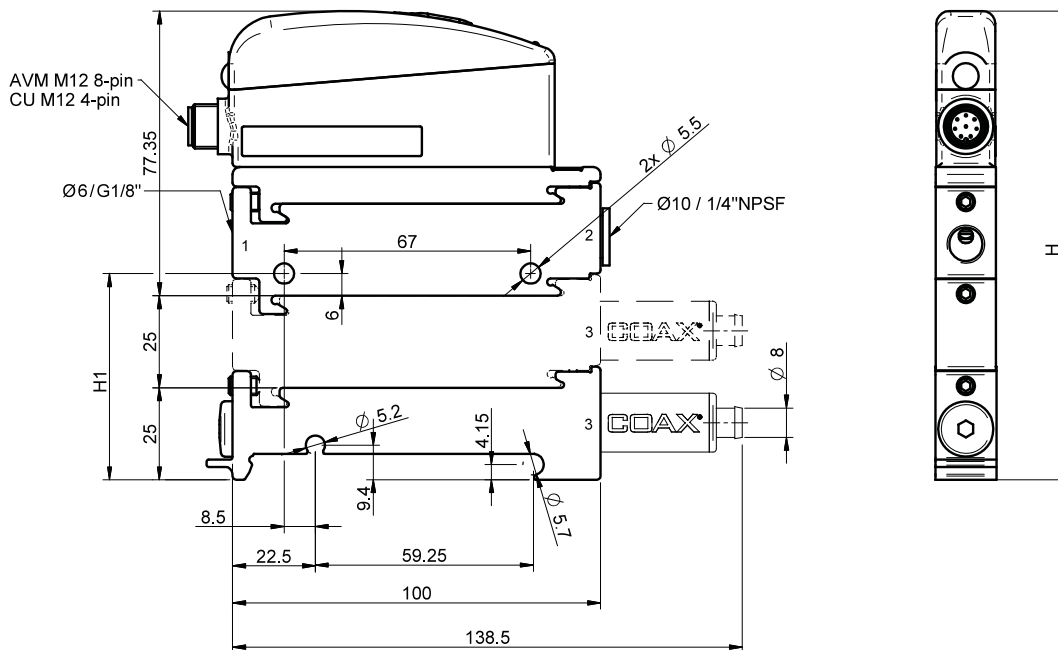
4. Select ES	P3010 Code
No energy saving	AA

<b>5. Select vacuum sensing</b>	<b>P3010 Code</b>
No vacuum sensing	00

<b>Example</b>	<b>Ordering number</b>
Housing, connection 1/8" NPSF Pi12-3FSx1, Function CU NC, no energy saving function, no vacuum sensing	P3010.01.AE.29.AA.00



COAX® Cartridge	H	H1
1	102,4	31
2	127,4	56



## Ordering information, accessories

Description	Art. No.
Cable M12 4-pin female, LED indicator, PUR, L=5m	0118013
Sealing kit P3010, NBR	0104201

The sealing kit includes flap valves, compressed air filter and vacuum filter.

Small