

P3010 Solenoid Valve



- ▶ Patented multistage COAX® cartridge - MINI - with Pi, Si, Xi cartridge.
- ▶ DS 23 3/2 valve suitable for compressed air, filtration 40µ
- ▶ 2.5 W solenoid
- ▶ Manual override
- ▶ Includes a flow-through silencer and a built-in vacuum filter for harsh environments.
- ▶ Slim, compact, configurable and modular design.
- ▶ Low weight.

Technical data

Description	Unit	Value
Feed pressure, max	MPa	0.7
Feed pressure	MPa	0.2-0.6
Material		PP, PA, NBR, Al, SS, Ni, POM, CuZn
Working temperature	°C	-10-50
Weight	g	210-485
Connection compressed air		D=6
Connection exhaust		D=6
Supply voltage	VDC	24
Safety classification, DIN (c) socket		IP65
Display		LED
Flow, nominal	NI/s	1.3
kv		1.2
Lifespan, mechanical	cycles	100,000,000
Power consumption	W	2.5
Load time rating	%	100
Electrical connection		DIN (c) socket

Performance tables

Depending upon choice of COAX® cartridge, performance data of the P3010 can be found in the tables for vacuum flow, evacuation time and blow flow on the P3010 or Vacuum cartridges/integration datasheets.

Ordering information

1. Select housing	P3010 Code
Housing, connection Ø=6 mm	00
2. COAX® cartridge modules	P3010 Code
COAX® cartridge module Pi12-3FSx1	AE
COAX® cartridge module Pi12-3FSx1, non-return valve	AF
COAX® cartridge module Pi12-3FSx2	AG
COAX® cartridge module Pi12-3FSx2, non-return valve	AH
COAX® cartridge module Si08-3FSx1	AA
COAX® cartridge module Si08-3FSx1, non-return valve	AB
COAX® cartridge module Si08-3FSx2	AC
COAX® cartridge module Si08-3FSx2, non-return valve	AD
COAX® cartridge module Xi10-3FSx1	AI
COAX® cartridge module Xi10-3FSx1, non-return valve	AJ
COAX® cartridge module Xi10-3FSx2	AK
COAX® cartridge module Xi10-3FSx2, non-return valve	AL

3. Select connection and function module		P3010 Code
B	Connection module high 6x1/8"	01
A	Connection module low 3x1/8"	02
	Function Quick-release connection, 10 and 6 mm, 3 cm ³	04
	Function Quick-release connection, 8 and 6 mm, 30 cm ³	05
	Function Quick-release connection, 8 and 6 mm, 60 cm ³	06
	Function Quick-release connection, 10 and 6 mm, 30 cm ³	07
	Function Quick-release connection, 10 and 6 mm, 60 cm ³	08
	Function Quick-release connection, 8 and 6 mm, 3 cm ³	12

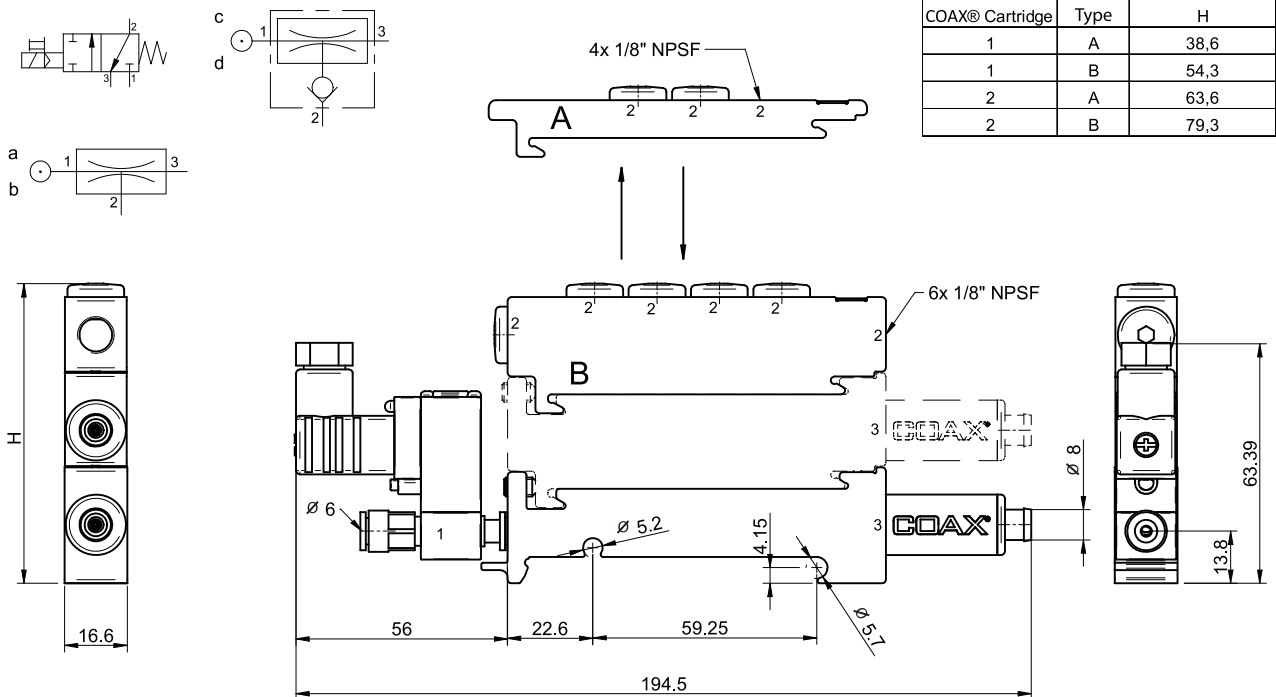
For detailed information on Quick-release, see separate datasheet.

4. Select ES	P3010 Code
Valve DS23	AB

5. Select vacuum sensing	P3010 Code
No vacuum sensing	00
Vacuum switch, adjustable, PNP NO MM8	01
Vacuum switch, adjustable, NPN NO MM8	02
Vacuum switch, adjustable, PNP NO LM8	05
Vacuum switch, adjustable, PNP NO DM8	09
Vacuum switch, adjustable, NPN NO DM8	10
Vacuum switch inductive, adjustable with knob	11
Vacuum switch VS4015 Ø6, 30 -kPa	18
Vacuum switch VS4015 Ø6, 50 -kPa	19
Vacuum switch VS4015 Ø6, 70 -kPa	20
Vacuum switch VS4016 G1/8" male, 30 -kPa	21
Vacuum switch VS4016 G1/8" male, 50 -kPa	22
Vacuum switch VS4016 G1/8" male, 70 -kPa	23

For detailed information on vacuum switches, see separate datasheets.

Example	Ordering number
Housing, connection Ø 6 mm Pi12-3FSx1, Connection module high 6 x 1/8", Solenoid valve DS23, no vacuum sensing	P3010.00.AE.01.AB.00



Ordering information, accessories

Description	Art. No.
Sealing kit P3010, NBR	0104201

The sealing kit includes flap valves, compressed air filter and vacuum filter.