

## P3010 Vacuum switch, inductive universal



- ▶ Patented multistage COAX® cartridge - MINI - with Pi, Si, Xi cartridge.
- ▶ Adjustable vacuum switch is actuated at a set vacuum level and set by a knob.
- ▶ Includes a flow-through silencer and a built-in vacuum filter for harsh environments.
- ▶ High system reliability in case of fluctuating or low feed pressure.
- ▶ Suitable for fast and reliable evacuation in sealed systems.

### Technical data

Description	Unit	Value
Feed pressure, max. (pump)	MPa	0.7
Noise level	dBA	66-68
Pressure, max (switch)	MPa	0.6
Material		PP, PBTP, PVC, PA, SS, NBR, POM, Al, CuZn
Temperature range	°C	-10-50
Weight	g	233-485
Function		PNP NO, PNP NC, NPN NO and NPN NC
Hysteresis	kPa	2
Cable		2 x 0.14 mm <sup>2</sup> x 2m
Supply voltage	VDC	24 (5-36)
Safety classification		IP67
Current Output, max	mA	200
Voltage drop, max	VDC	4.6

*The switch must be connected in series with the load.*

### Performance tables

Depending upon choice of COAX® cartridge, performance data of the P3010 can be found in the tables for vacuum flow, evacuation time and blow flow on the P3010 or Vacuum cartridges/integration datasheets.

### Ordering information

1. Select housing	P3010 Code
Housing, connection Ø=6 mm	00
Housing, connection 1/8" NPSF	01

2. COAX® cartridge modules	P3010 Code
COAX® cartridge module Pi12-3FSx1	AE
COAX® cartridge module Pi12-3FSx1, non-return valve	AF
COAX® cartridge module Pi12-3FSx2	AG
COAX® cartridge module Pi12-3FSx2, non-return valve	AH
COAX® cartridge module Si08-3FSx1	AA
COAX® cartridge module Si08-3FSx1, non-return valve	AB
COAX® cartridge module Si08-3FSx2	AC
COAX® cartridge module Si08-3FSx2, non-return valve	AD
COAX® cartridge module Xi10-3FSx1	AI
COAX® cartridge module Xi10-3FSx1, non-return valve	AJ
COAX® cartridge module Xi10-3FSx2	AK
COAX® cartridge module Xi10-3FSx2, non-return valve	AL

3. Select connection and function module	P3010 Code
Function Quick-release connection, 10 and 6 mm, 3 cm <sup>3</sup>	04
Function Quick-release connection, 8 and 6 mm, 30 cm <sup>3</sup>	05
Function Quick-release connection, 8 and 6 mm, 60 cm <sup>3</sup>	06
Function Quick-release connection, 10 and 6 mm, 30 cm <sup>3</sup>	07
Function Quick-release connection, 10 and 6 mm, 60 cm <sup>3</sup>	08
Function Quick-release connection, 1/4" NPSF and 6 mm, 3 cm <sup>3</sup>	09
Function Quick-release connection, 1/4" NPSF and 6 mm, 30 cm <sup>3</sup>	10
Function Quick-release connection, 1/4" NPSF and 6 mm, 60 cm <sup>3</sup>	11
Function Quick-release connection, 8 and 6 mm, 3 cm <sup>3</sup>	12

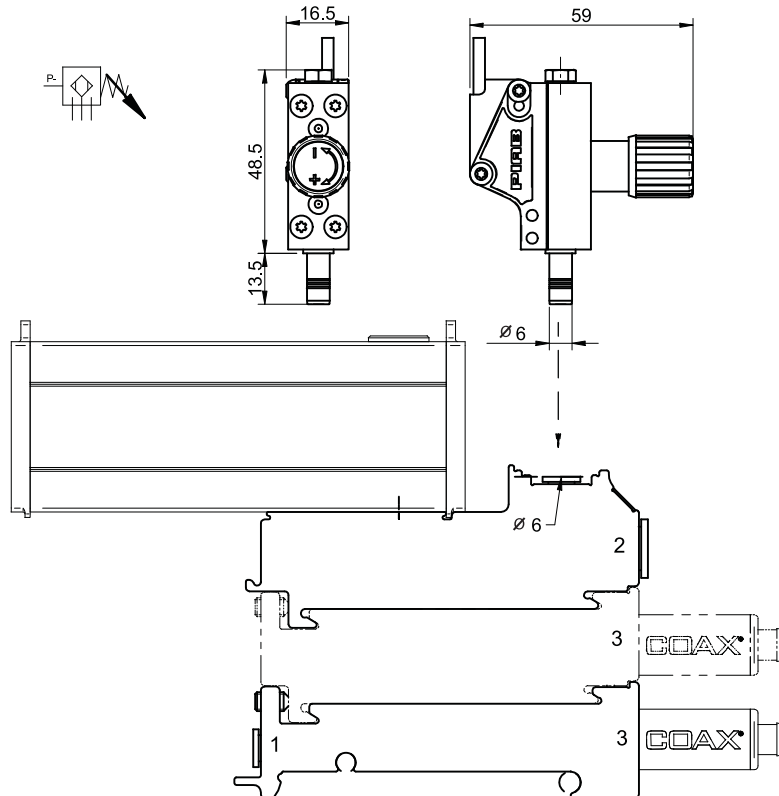
For detailed information on Quick-release, see separate datasheet.

4. Select ES	P3010 Code
No energy saving	AA
Valve DS23	AB

For detailed information on Valve DS 23, see separate datasheet.

5. Select vacuum sensing	P3010 Code
Vacuum switch inductive, adjustable with knob	11

Example	Ordering number
Housing, connection Ø 6 mm Pi12-3FSx1, Function Quick-release module 10/6 3cm <sup>3</sup> , no energy saving, Vacuum switch inductive, adj. knob	P3010.00.AE.04.AA.11



## Ordering information, accessories

Description	Art. No.
Sealing kit P3010, NBR	0104201

The sealing kit includes flap valves, compressed air filter and vacuum filter.